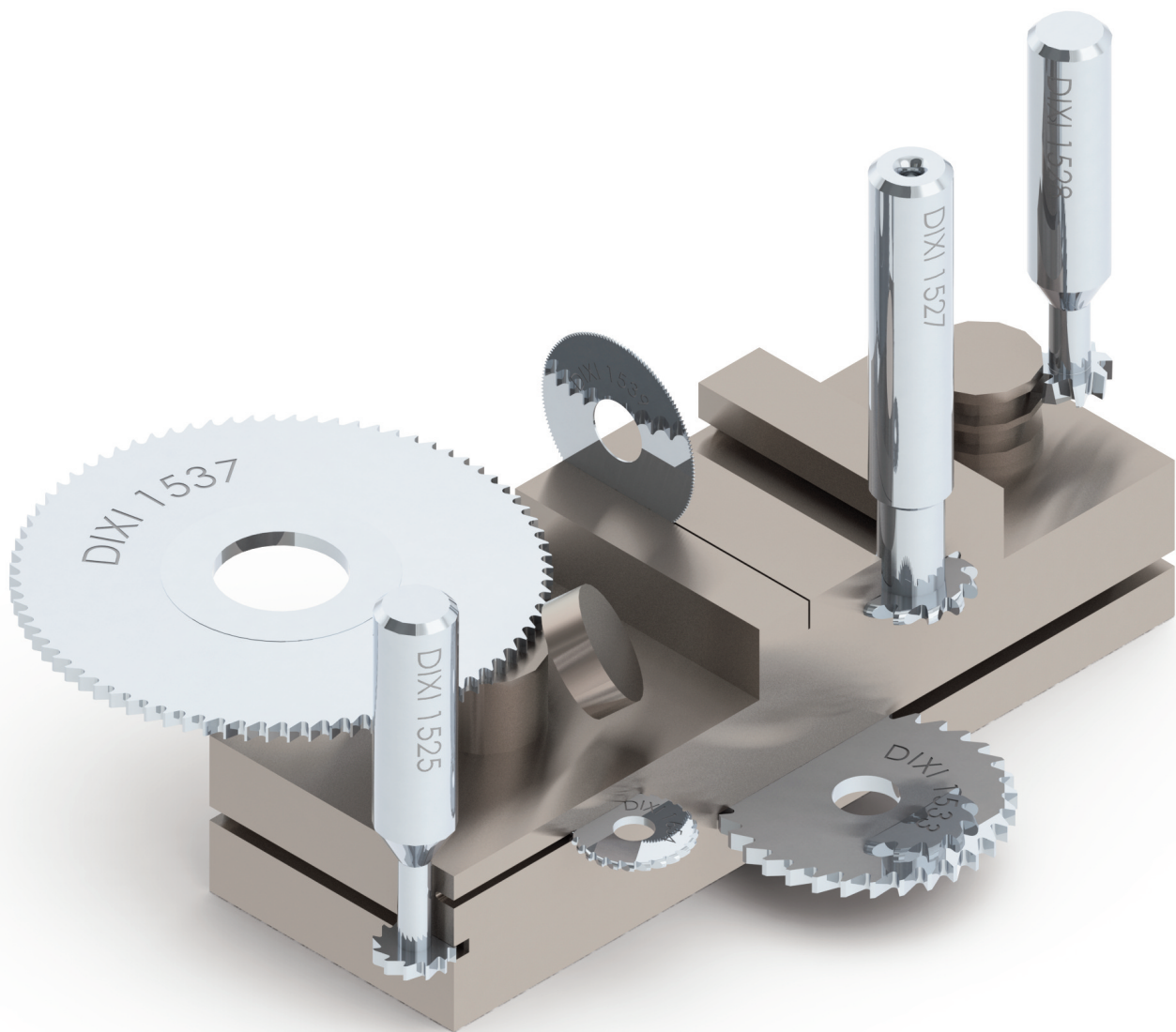


Engaged in tackling the most  
demanding slitting challenges

WIDE RANGE OF STANDARD  
AND CUSTOMIZED SOLUTIONS



## THE RIGHT SOLUTION FOR EVERY CHALLENGE

Thanks to 70 years of experience in providing high-end solutions for different manufacturing industries, we are able to develop innovative solutions that meet your standard and specific requirements.

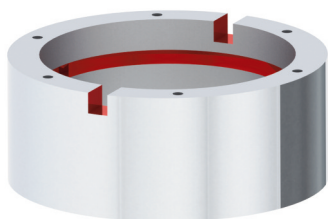
As your active partner, we provide you High quality products and access to our whole knowledge and manufacturing facilities. Your success is our goal!

You are looking for a reliable partner how can help you improve productivity and reduce costs through innovative solutions? Let us work together. Our cutting solutions cover a large range of cutting tools and knowledge about manufacturing methods.

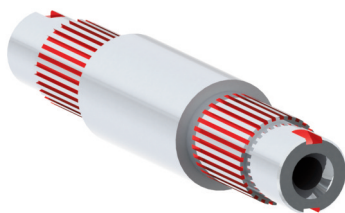
## STANDARD SOLUTIONS

We provide a wide range of standard solutions in order to achieve many types of application in term of depth, width and shape.

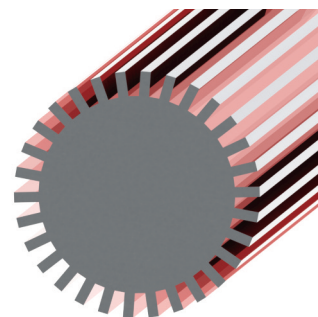
Internal circular milling



Milling slots



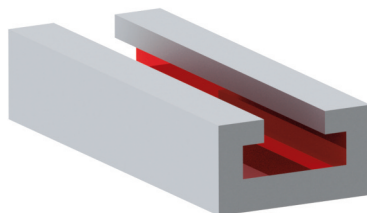
Milling deep slots



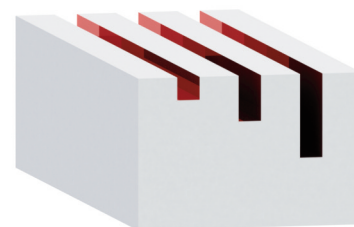
Parting of



T-slotting



Slotting different depth



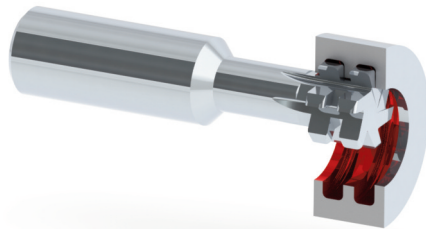
## CUSTOMIZED SOLUTIONS

With our customized solutions we ensure that the most difficult and specific needs are met. Additionally our engineering team is specifically assigned to supporting your projects on- and off-site. They can offer advice concerning tooling set-up, definition of machining strategies, analyzing issues and looking for several innovative solutions. They will put together the best elements to make sure you are working in the most cost effective way.

Form milling



Slot milling



Convex milling



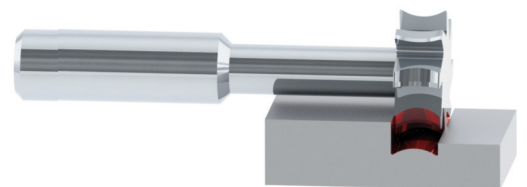
Milling biconic shape



Milling half concave shape



Special shape milling



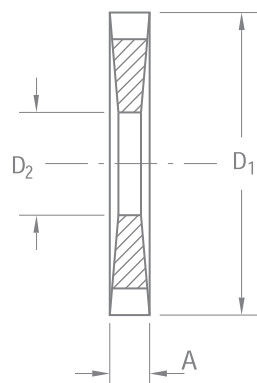
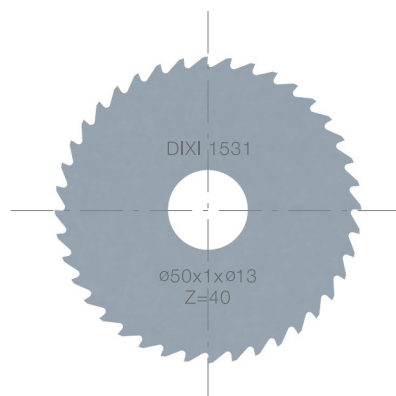
## STANDARD SOLUTIONS AVAILABLE FROM STOCK

### DIXI 1531 SLITTING SAWS, COARSE PITCH TEETH

Ø 15 - 125 mm

A 0.20 - 4.00 mm

Wide variety  
of coatings on request

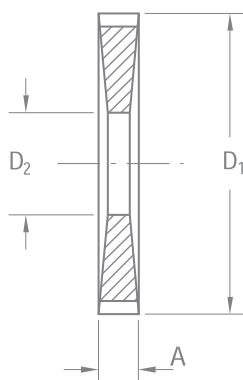
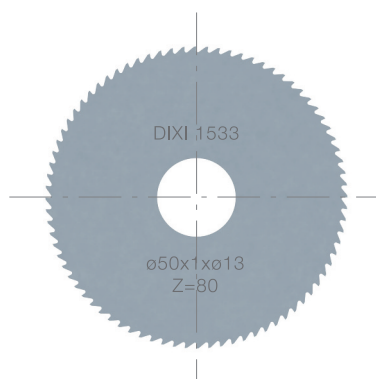


### DIXI 1533 SLITTING SAWS, FINE PITCH TEETH

Ø 15 - 160 mm

A 0.20 - 5.00 mm

Wide variety  
of coatings on request

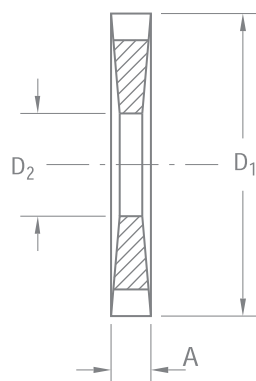
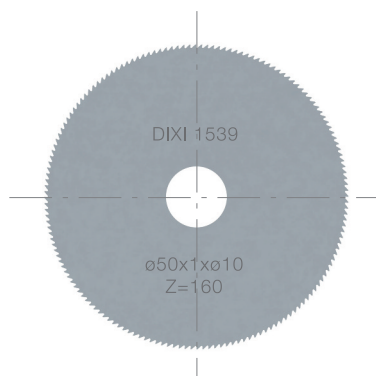


### DIXI 1539 SLITTING SAWS, EXTRA FINE TEETH

Ø 10 - 50 mm

A 0.10 - 1.50 mm

Wide variety  
of coatings on request



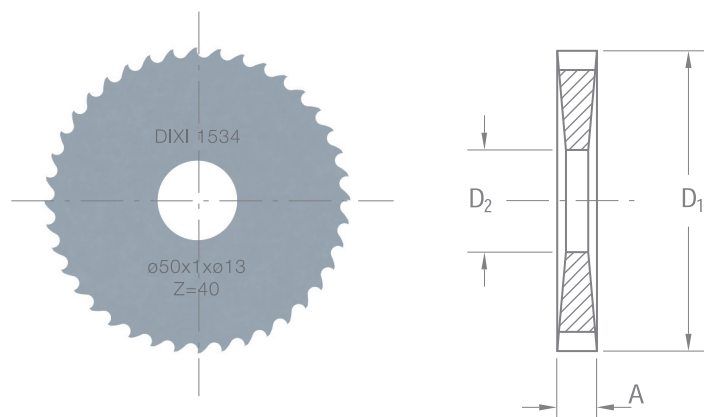
## STANDARD SOLUTIONS AVAILABLE FROM STOCK

### DIXI 1534 SLITTING SAWS, HELLER PITCH TEETH

Ø 20 - 100 mm

A 0.30 - 3.00 mm

Wide variety  
of coatings on request

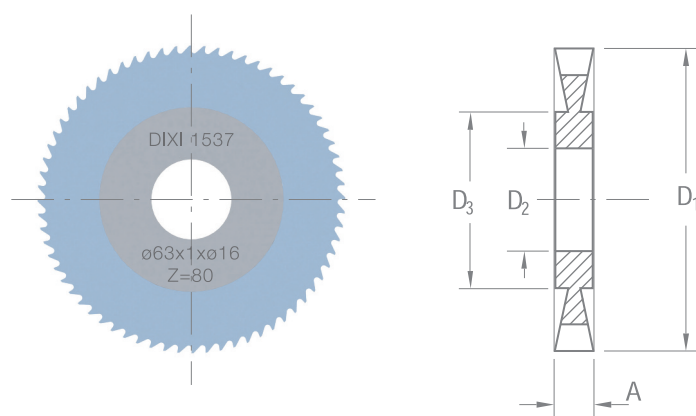


### DIXI 1537 SLITTING SAWS FOR STAINLESS STEEL

Ø 50 - 100 mm

A 0.60 - 1.00 mm

Cutinox coated

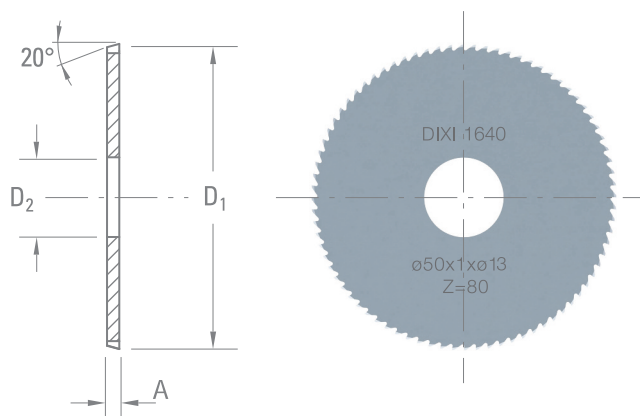


### DIXI 1640 PARTING OFF SLITTING SAWS, LEFT AND RIGHT HAND CUTTING

Ø 50 - 100 mm

A 0.50 - 1.00 mm

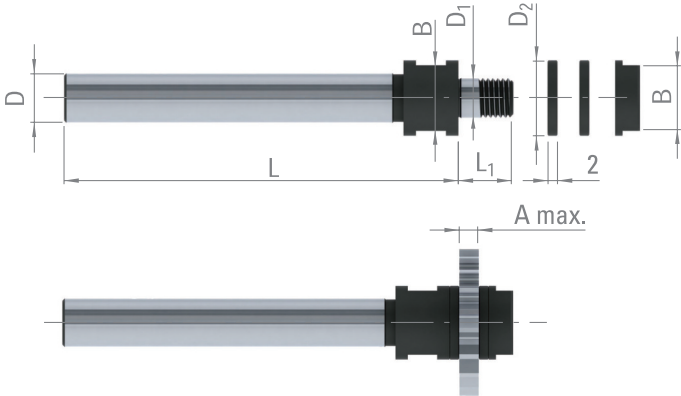
Cutinox coated  
& uncoated



**STANDARD SOLUTIONS AVAILABLE FROM STOCK**

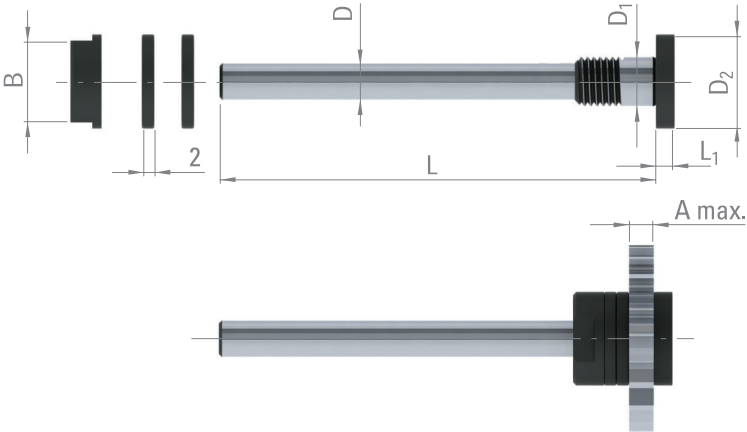
**DIXI 2713 MILLING ARBORS WITH FRONT CLAMPING**

Ø 3 - 16 mm



**DIXI 2714 MILLING ARBORS WITH REAR CLAMPING**

Ø 5 - 16 mm



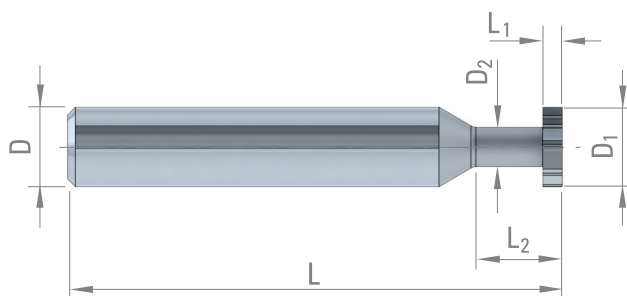
## STANDARD SOLUTIONS

### DIXI 1525 SLITTING SAWS, COARSE PITCH TEETH

Ø 2 - 30 mm

L<sub>1</sub> 0.20 - 8.00 mm

Wide variety  
of coatings on request

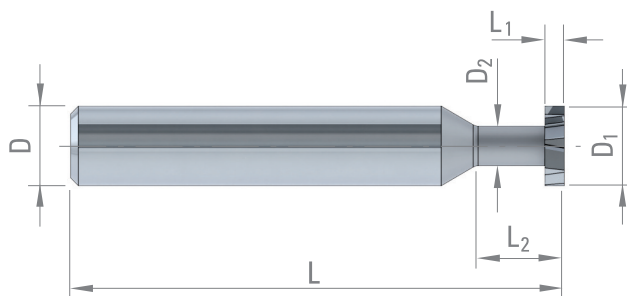


### DIXI 1528 T-SLOT CUTTERS, STAGGERED TOOTH

Ø 4 - 30 mm

L<sub>1</sub> 0.50 - 10.00 mm

Wide variety  
of coatings on request

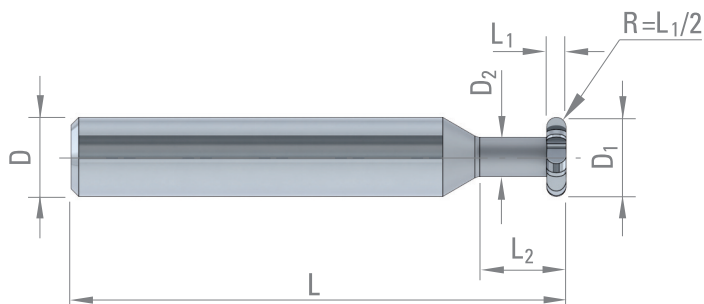


### DIXI 1527 T-SLOT CUTTERS, FULL RADIUS

Ø 4 - 16 mm

L<sub>1</sub> 0.40 - 6.00 mm

Wide variety  
of coatings on request



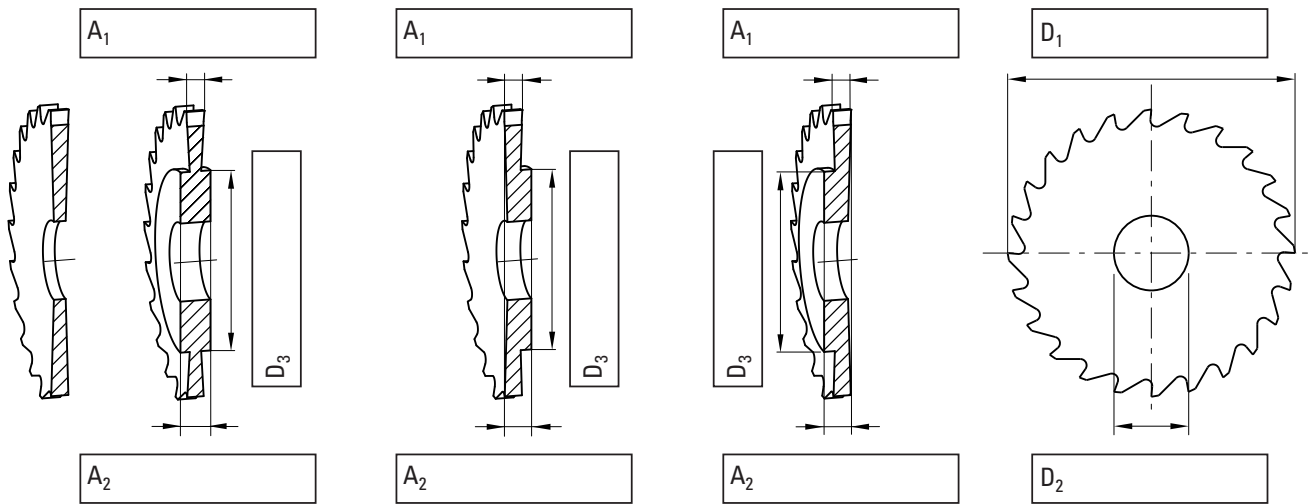
LET US KNOW YOUR REQUIREMENTS THROUGH OUR WEBSITE OR QUOTATION FORM



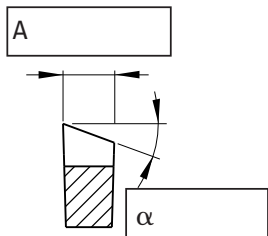
TOOLS ON REQUEST

Quantity

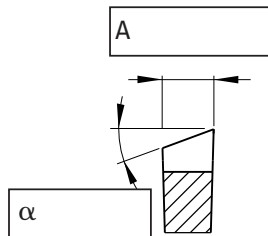
Material to be machined



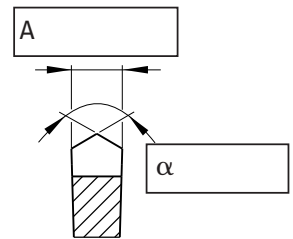
**1640 L**



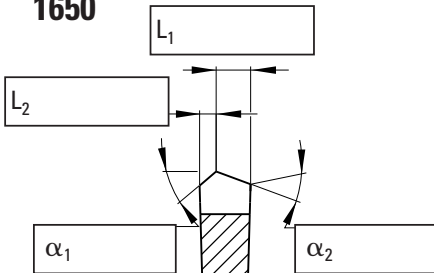
**1640 R**



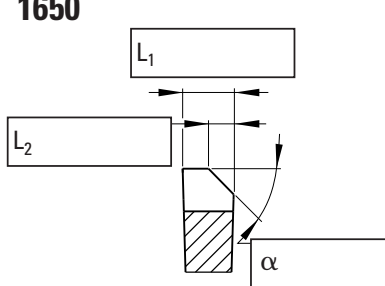
**1643**



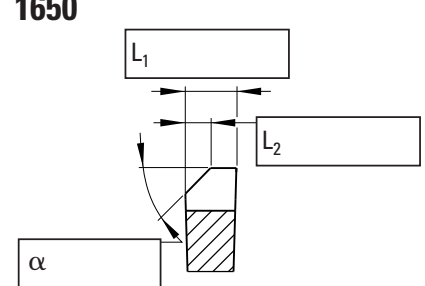
**1650**



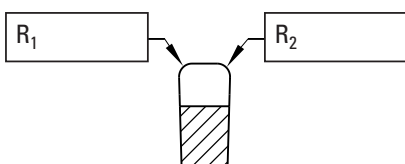
**1650**



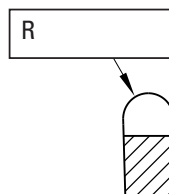
**1650**



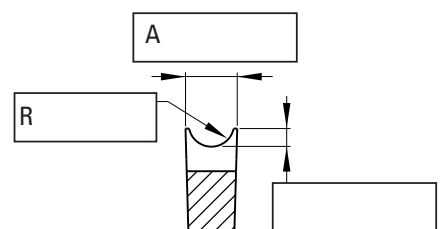
**1650**



**1654**



**1650**







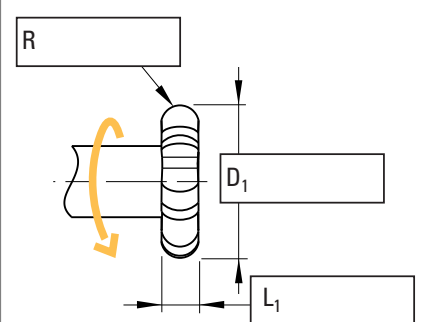
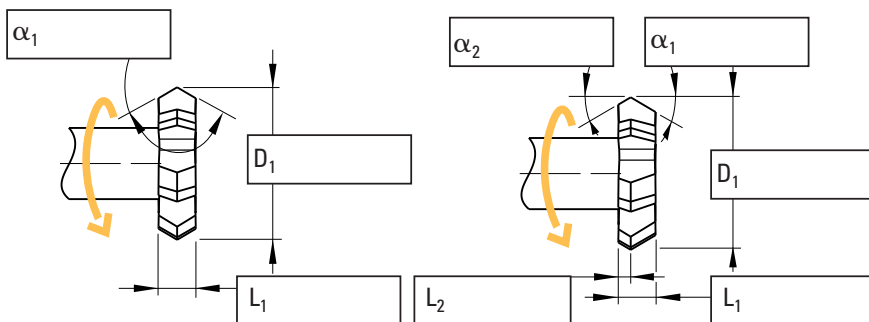
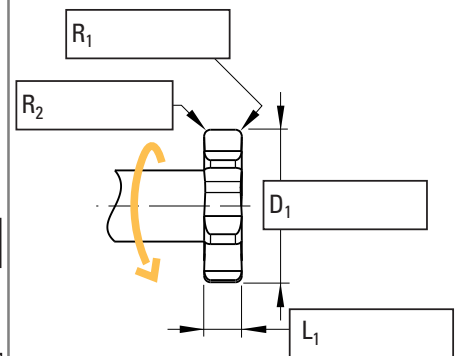
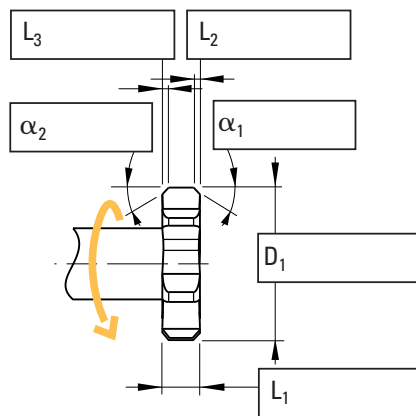
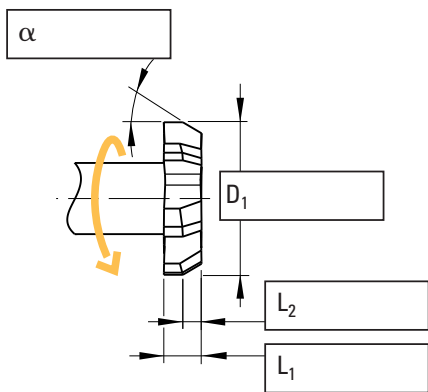
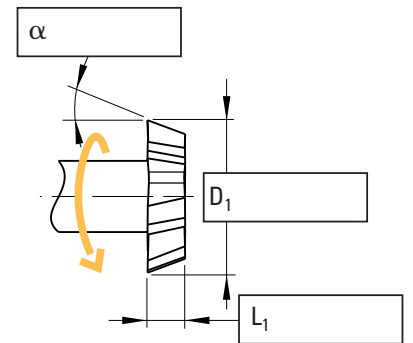
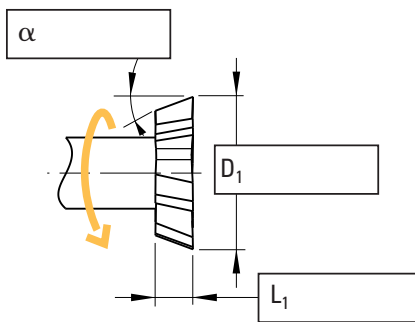
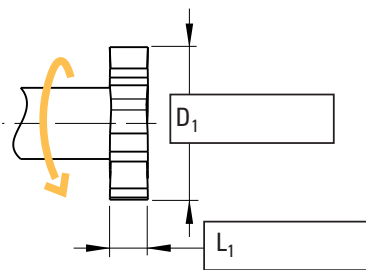
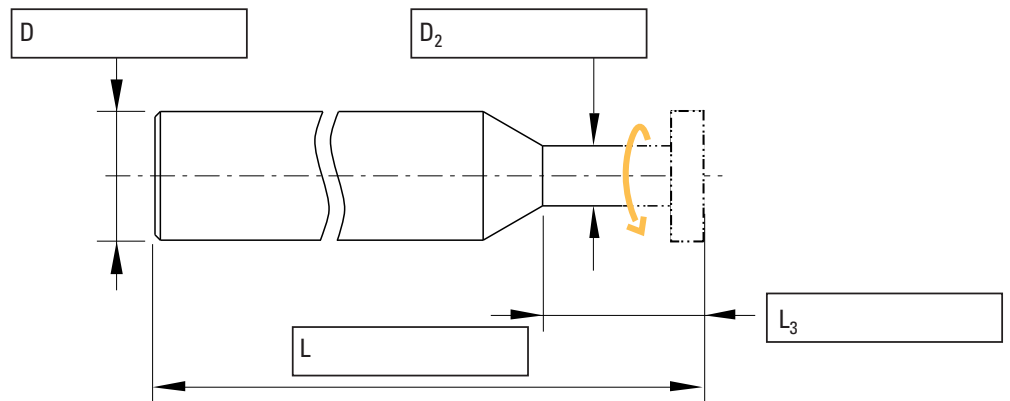
TOOLS ON REQUEST

T-SLOT CUTTERS

Z =

Quantity

Material to be machined



VISIT OUR E-QUOTATION ON [WWW.DIXIPOLYTOOL.COM](http://WWW.DIXIPOLYTOOL.COM)



## YOUR ADVANTAGES OF USING OUR SLITTING SOLUTIONS

- Standard tools from stock
- Excellent performances in all material groups
- Wide range of standard and customized solutions
- Designed for many types of applications in terms of depth, width and shape
- Better tool life than other milling solutions
- Excellent surface quality
- Reducing material waste
- Reducing chip and burr problems
- Meeting complex and precise manufacturing requirements



## ADDING VALUE IN ALMOST ALL HIGH-END SECTORS



## MAKING IT EASY IN ALL MATERIAL GROUPS

DIXI's slitting solutions are designed to give excellent performances in all material groups.

<b>P</b>	Lead and high alloyed steels
<b>M</b>	Stainless steel
<b>K</b>	Cast iron and alloyed cast iron
<b>S</b>	Super alloys, titan alloys
<b>N</b>	Cooper alloys, aluminium, gold

## APPLICATION EXAMPLES

Workpiece Chamfering of screw - slots  
Material Lead alloyed steel 20 AP  
Operation Chamfering  
Tool DIXI 1643 /90° Ø 20 x 1,5 x Ø6 mm, Z = 20 SP

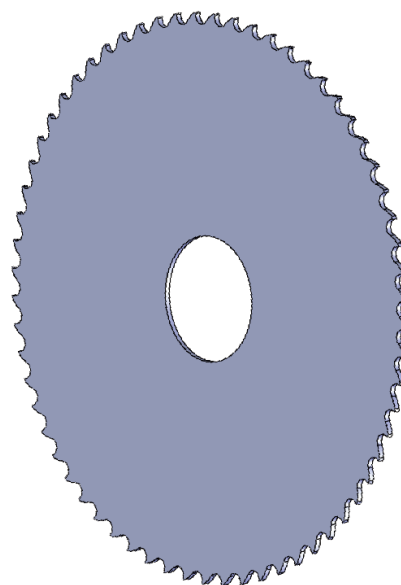
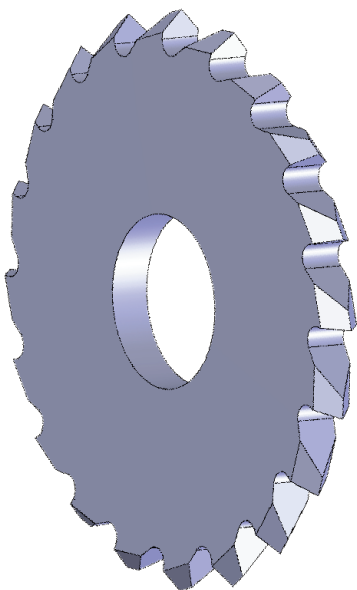
Cutting data  
Cutting speed  $n = 860 \text{ min}^{-1}$   
Feed/revolution  $V_f = 50 \text{ mm/min}$   
Coolant Cutting oil

Result Tool life = 2 month of production

Workpiece Electronics / hardware computer  
Material Aluminium  
Operation Slotting with 12 slitting saws mounted as batch  
Tool DIXI 1534 Ø 100 SP

Cutting data  
Cutting speed  $V_c = 150 \text{ m/min}$   
Feed/revolution  $V_f = 300 \text{ mm/min}$   
Coolant Cutting oil  
Mounted an batch  
(3 to 12 tools on the same holder)

Result Tool life is 120'000 slots per tool  
3 regrindings



**DIXI POLYTOOL S.A.**

Av. du Technicum 37

CH-2400 Le Locle

Tél. +41 (0)32 933 54 44

Fax +41 (0)32 931 89 16

[dixipoly@dixi.ch](mailto:dixipoly@dixi.ch)

[www.dixipolytool.com](http://www.dixipolytool.com)

---