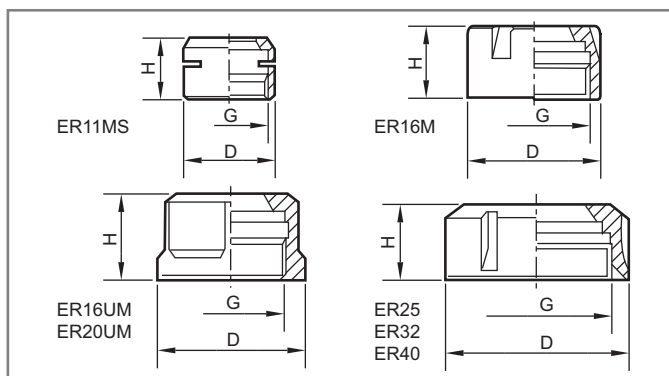


## Clamping NUT



ER16UM,ER20UM

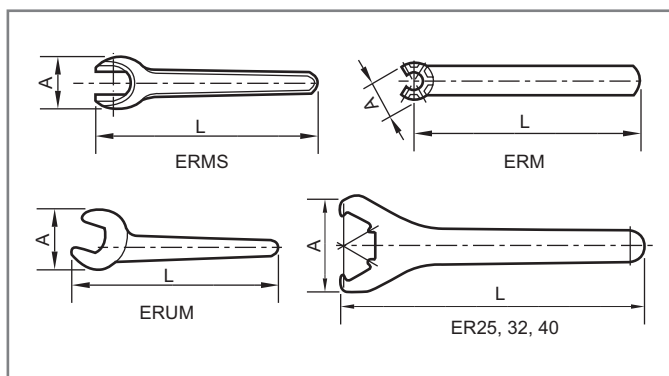
ER25, ER32, ER40



| Ordering Code | Type      | D  | H  | G         |
|---------------|-----------|----|----|-----------|
| 301100-200    | CN-ER11MS | 16 | 12 | M13X0.75P |
| -204          | -ER11M    | 16 | 12 | M13X0.75P |
| -302          | -ER16UM   | 28 | 18 | M22X1.5P  |
| -304          | -ER16M    | 22 | 18 | M19X1.0P  |
| -402          | -ER20UM   | 34 | 21 | M25X1.5P  |
| -404          | -ER20M    | 28 | 19 | M24X1.0P  |
| -502          | -ER25     | 42 | 20 | M32X1.5P  |
| -602          | -ER32     | 50 | 23 | M40X1.5P  |
| -702          | -ER40     | 63 | 25 | M50X1.5P  |

## Spanners

- Made by forged steel and hardened.



| Ordering Code | Type      | A    | L   |
|---------------|-----------|------|-----|
| 301100-210    | SP-ER11MS | 22   | 100 |
| -214          | -ER11M    | 17   | 95  |
| -312          | -ER16UM   | 44   | 140 |
| -314          | -ER16M    | 22.5 | 118 |
| -412          | -ER20UM   | 53   | 170 |
| -414          | -ER20M    | 28   | 130 |
| -512          | -ER25     | 65   | 210 |
| -612          | -ER32     | 75   | 250 |
| -712          | -ER40     | 90   | 290 |