

BT

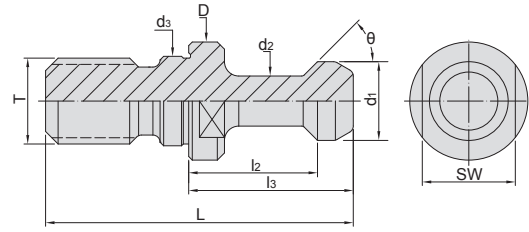


BT PULL STUDS

CAT

SYIC-17800

BT 螺栓拉頭



DAT

HSK

MODEL NO.	TYPE θ	D	d ₁	d ₂	d ₃	L	l ₁	l ₂	T	SW	WEIGHT (KGS)
SYIC - 17801	BT30 - 45°	16.5	11	7	12.5	43	23	18	M12	13	0.04
SYIC - 17803	BT40 - 45°	23	15	10	17	60	35	28	M16	19	0.10
SYIC - 17805	BT50 - 45°	38	23	17	25	85	45	35	M24	30	0.30
SYIC - 17806	BT30 - 60°	16.5	11	7	12.5	43	23	18	M12	13	0.04
SYIC - 17808	BT40 - 60°	23	15	10	17	60	35	28	M16	19	0.10
SYIC - 17810	BT50 - 60°	38	23	17	25	85	45	35	M24	30	0.30
SYIC - 17812	BT30 - 90°	16.5	11	7	12.5	43	23	18	M12	13	0.04
SYIC - 17814	BT40 - 90°	23	15	10	17	60	35	28	M16	19	0.10
SYIC - 17816	BT50 - 90°	38	23	17	25	85	45	35	M24	30	0.30

NT & MT

ISO

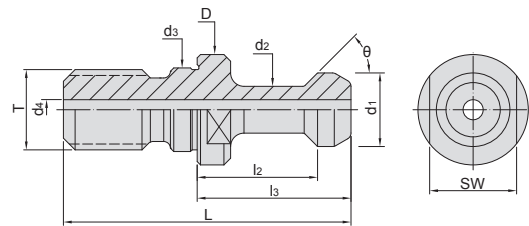


BT PULL STUDS COOLANT TYPE

BORING

SYIC-17817

BT 給水型螺栓拉頭



SHRINK FIT

ACCESSORIES

MODEL NO.	TYPE θ	D	d ₁	d ₂	d ₃	d ₄	L	l ₁	l ₂	T	SW	WEIGHT (KGS)
SYIC - 17817	BT30 - 45°	16.5	11	7	12.5	3	43	23	18	M12	13	0.1
SYIC - 17818	BT40 - 45°	23	15	10	17	4	60	35	28	M16	19	0.1
SYIC - 17820	BT40 - 60°											0.1
SYIC - 17822	BT40 - 90°	38	23	17	25	5	85	45	35	M24	30	0.1
SYIC - 17824	BT50 - 45°											0.3
SYIC - 17826	BT50 - 60°											0.3
SYIC - 17828	BT50 - 90°											0.3

KIT

TECHNICAL INFO.



CAT PULL STUDS

B
T

C
A
T

D
A
T

H
S
K

N
T
&
M
T

I
S
O

B
O
R
I
N
G

S
H
R
I
N
K
F
I
T

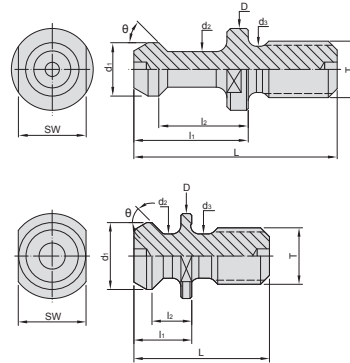
A
C
C
E
S
S
O
R
I
E
S

K
I
T

T
E
C
H
N
I
C
A
L
I
N
F
O.

SYIC-21000

CAT 螺栓拉頭



• Please make sure the pull stud conforms to the machine type.

INCHES

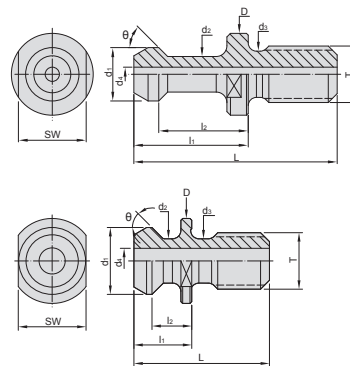
MODEL NO.	TYPE	D	d ₁	d ₂	d ₃	L	l ₁	l ₂	θ	SW	T-UNC	Fig	WEIGHT (KGS)
SYIC - 21003	CAT40 - ANSI	0.94	0.74	0.49	0.49	1.5	0.64	0.44	45°	0.75	5/8" - 11	2	0.09
SYIC - 21005	CAT50 - ANSI	1.44	1.14	0.82	0.82	2.3	1	0.7		1.25	1" - 8		0.25
SYIC - 21003 - 45	CAT40 - MAS - I	0.905	0.59	0.394	0.512	2.25	1.266	0.99	60°	0.748	5/8" - 11	1	0.09
SYIC - 21003 - 60	CAT40 - MAS - II								90°				
SYIC - 21003 - 90	CAT40 - MAS - III												
SYIC - 21005 - 45	CAT50 - MAS - I	1.102	0.906	0.669	0.827	3.346	1.772	1.378	45°	0.181	1" - 8	1	0.25
SYIC - 21005 - 60	CAT50 - MAS - II								60°				
SYIC - 21005 - 90	CAT50 - MAS - III								90°				



CAT PULL STUDS COOLANT TYPE

SYIC-21000-C

CAT 給水型螺栓拉頭



• Please make sure the pull stud conforms to the machine type.

INCHES

MODEL NO.	TYPE	D	d ₁	d ₂	d ₃	d ₄	L	l ₁	l ₂	θ	SW	T-UNC	Fig	WEIGHT (KGS)
SYIC - 21003 - C	CAT40 - ANSI - C	0.94	0.74	0.49	0.49	0.281	1.5	0.64	0.44	45°	0.75	5/8" - 11	2	0.09
SYIC - 21005 - C	CAT50 - ANSI - C	1.44	1.14	0.82	0.82	0.468	2.3	1	0.7		1.25	1" - 8		0.25
SYIC - 21003 - 45C	CAT40 - Coolant - I	0.905	0.59	0.394	0.512	0.157	2.25	1.266	0.99	45°	0.748	5/8" - 11	1	0.09
SYIC - 21003 - 60C	CAT40 - Coolant - II									60°				
SYIC - 21003 - 90C	CAT40 - Coolant - III									90°				
SYIC - 21005 - 45C	CAT50 - Coolant - I	1.102	0.906	0.669	0.827	0.256	3.346	1.772	1.378	45°	1.181	1" - 8	1	0.25
SYIC - 21005 - 60C	CAT50 - Coolant - II									60°				
SYIC - 21005 - 90C	CAT50 - Coolant - III									90°				

B
T



DAT PULL STUDS COOLANT TYPE

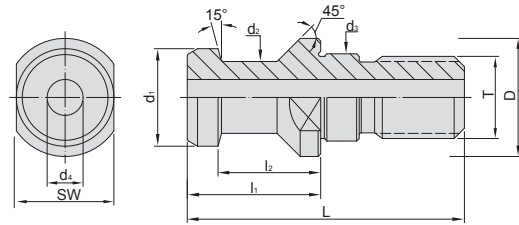
C
A
T

SYIC-49000

DAT 給水型螺栓拉頭

DIN 69872 - A

D
A
T



H
S
K

N
T
&
M
T

MODEL NO.	TYPE	D	d ₁	d ₂	d ₃	d ₄	L	l ₁	l ₂	SW	T	WEIGHT (KGS)
SYIC - 49001	DAT30 - A	17	13	9	13	-	44	24	19	14	M12	0.03
SYIC - 49003	DAT40 - A	23	19	14	17	7	54	26	20	19	M16	0.09
SYIC - 49005	DAT50 - A	36	28	21	25	11.5	74	34	25	30	M24	0.25

I
S
O



DAT PULL STUDS

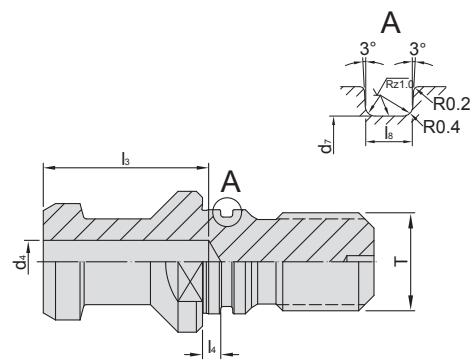
B
O
R
I
N
G

SYIC-49010

DAT 螺栓拉頭

DIN 69872 - B

S
H
R
I
N
K
F
I
T



A
C
C
E
S
S
O
R
I
E
S

MODEL NO.	TYPE	D	d ₁	d ₂	d ₃	d ₄	L	l ₁	l ₂	l ₃	l ₄	SW	T	WEIGHT (KGS)
SYIC - 49000 - ISO20	ISO20 - 15°	12	9	6	8.5	-	26	12	9	-	2.7	10	M8	0.01
SYIC - 42194 - ISO25	ISO25 - 45°	12	10	7	9	-	31	18	13.5	-	2.5	10	M8	0.02
SYIC - 49000 - ISO25	ISO25 - 15°	12	10	7	8.5	-	28	16	11.7	-	2.5	10	M8	0.02
SYIC - 49001 - 45	ISO30	17	12.8	9	13	-	45	24	19	-	4	14	M12	0.03
SYIC - 49011	DAT30 - B	17	13	9	13	-	44	24	19	-	2.3	14	M12	0.03
SYIC - 49013	DAT40 - B	23	19	14	17	7	54	26	20	27	3	19	M16	0.09
SYIC - 49015	DAT50 - B	36	28	21	25	11.5	74	34	25	37	4.5	30	M24	0.25

K
I
T

T
E
C
H
N
I
C
A
L
I
N
F
O